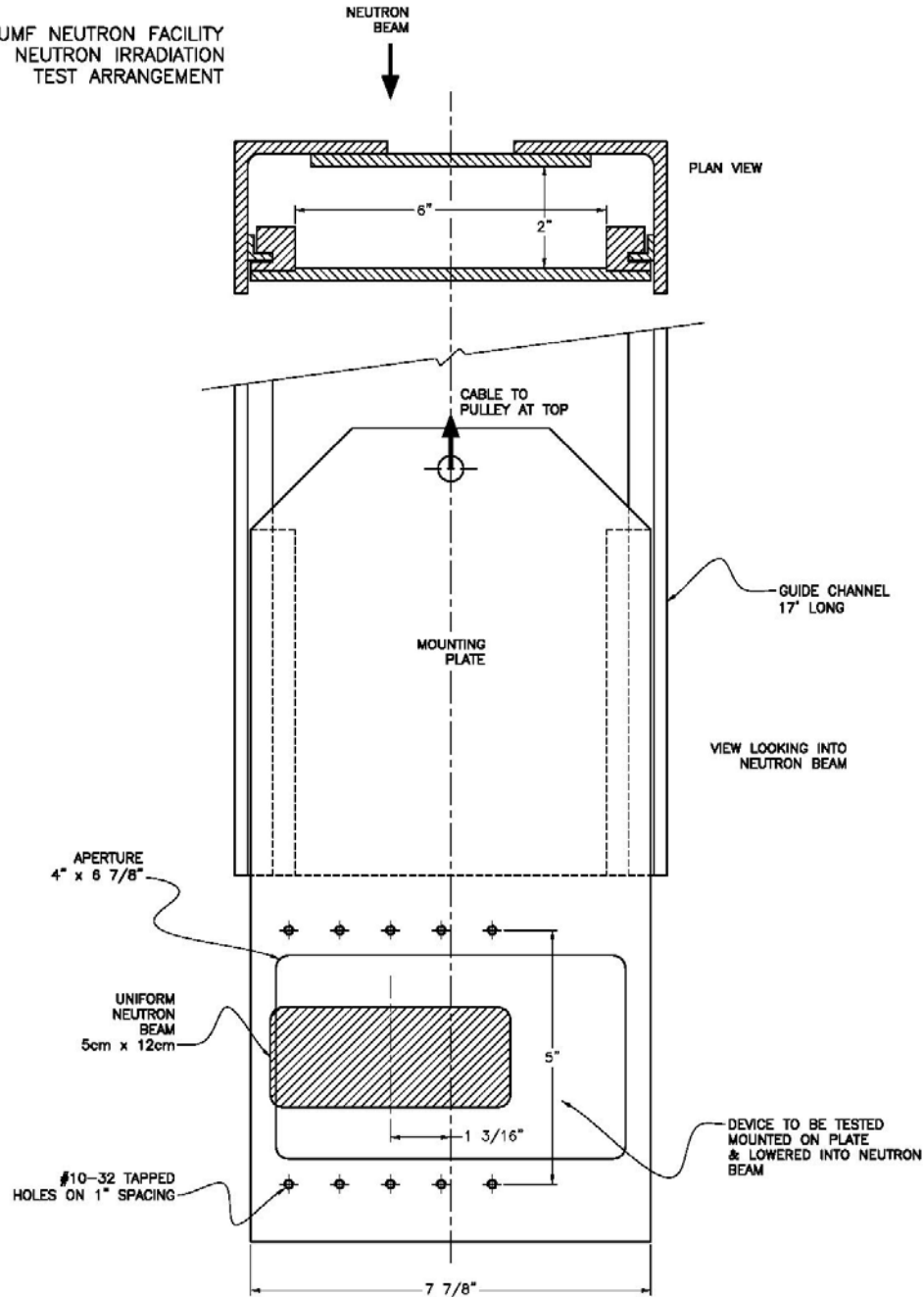


TRIUMF NEUTRON FACILITY
NEUTRON IRRADIATION
TEST ARRANGEMENT



Note: The transverse dimensions of the device to be tested and its cables must fit in the aperture that is 2" deep and up to 8" wide, except where the angle track is located. There are some mounting holes on the plate at the beam position. The neutron beam is offset from the center of the plate, as indicated. Cables from the device to external electronics should be at least 20ft (6 m) and preferable 32 ft (10 m) to reach a shielded area. Access to the test position is available at all times, whether the proton beam is on or not.